

# Miniature Metal Proximity Sensor

Square Tube Type

# PR8



Model Number Legend

**PR8**-□□-□

1    2 3    4

### 1. Series

PR8

### 2. Sensing Distance

1:        1 mm  
2:        2 mm

### 3. Output

NO:        NPN - NO  
PO:        PNP - NO

### 4. Connection

2M:        2m Cable  
M8C:       M8 Connector

### #. Accessories included

Check Nut: 1 Pair

### Example:

PR8-2NO-2M  
PR8 Series - 2mm Sensing Distance, NPN NO - 2 meter Cable

**NOTE:** Contact us for models not shown in catalogue.  
Connector cables are sold separately; look in CC series catalogue for the same ([www.inno.sg/cc](http://www.inno.sg/cc)).

## Product Highlights

### ◆ Single & Double Sensing

The PR8 series enables a longer sensing distance of 2mm for demanding applications and standard sensing distance of 1mm for standard applications.

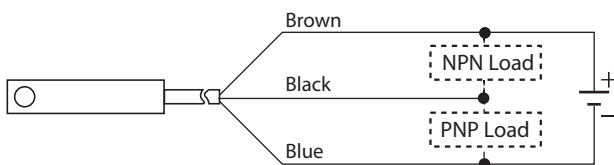
### ◆ Heavy-duty Construction

The PR8 series can withstand harsh working environment and impacts in the work area due to the increased thickness of the brass housing

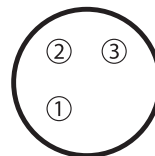
Sensing Distance			1mm	2mm
Model	Prewired	NPN - NO	PR8-1NO-2M	PR8-2NO-2M
		PNP - NO	PR8-1PO-2M	PR8-2PO-2M
	Connector	NPN - NO	PR8-1NO-M8C	PR8-2NO-M8C
		PNP - NO	PR8-1PO-M8C	PR8-2PO-M8C
Standard Sensing Target			Iron, Ø10x1mm	Iron, Ø12x2mm
Hysteresis		± 15%		
Response Frequency/ Time			2000 Hz/ 0.1ms	1000 Hz/ 0.2ms
Supply Voltage		10-30VDC (ripple included)		
Current Consumption		< 10mA		
Connection		PR8- __-2M - 2m prewired; PR8- __-M8C - M8 Connector Type		
Output	Type	NPN or PNP - NO depending on the model		
	Switching Capacity	200mA; Overload trip: 220mA		
	Leakage Current	< 0.01mA		
	Voltage Drop	< 1.5VDC		
Protection Circuits		Reverse power supply polarity; Reversed output polarity		
Dielectric Strength		1000 VAC, 50/60 Hz for 1 minute between current carry parts and case		
Voltage Influence		± 5% max. of sensing distance (ref. sensing distance taken at 24VDC)		
Temperature Influence		± 10% max. of sensing distance (ref. sensing distance taken at 25°C)		
Vibration Resistance		10 - 55Hz, 1mm for 2 hours in X, Y, Z directions (destruction)		
Shock Resistance		50 G (10 times) in X, Y, Z direction for 3 times (destruction)		
Ambient Temperature		Operation: -25° ~ 70° C; Storage: -30° ~ 80° C (non-freezing; non-condensing)		
Ambient Humidity		Operation: 40 ~ 85% RH; Storage: 35 ~ 95% RH (non- condensing)		
Protection Class		IP-67		
Weight	Prewired	approx. 40g		
	Connector	approx. 92g		
Cable		2M, 2.9Ø 3*0.15		
Material		Head: POM; Tube: Nickel plated Brass		

## Connection

### ◆ Cable Type



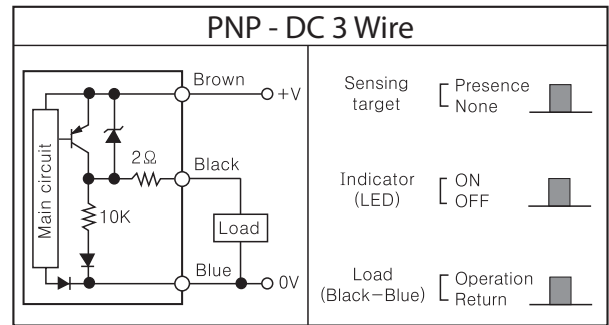
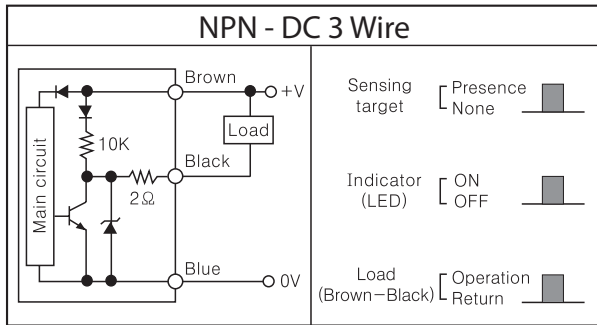
### ◆ Connector Type



Brown (1) : DC 10~30V  
 Blue (2) : 0V  
 Black (3) : Control Output

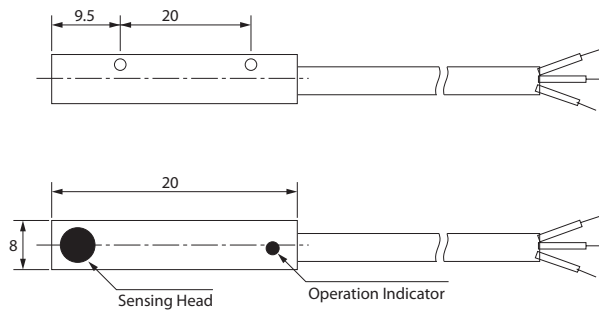
# Control Output Diagram

PR8

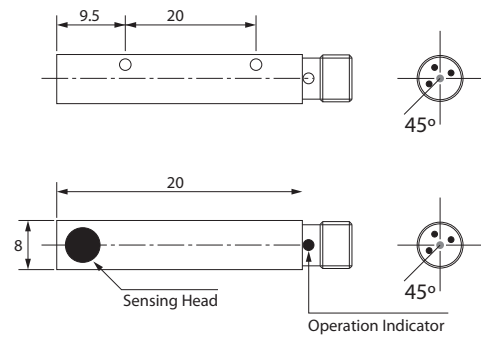


# Sensor Dimension Drawing

◆ PR8-\_\_-2M



◆ PR8-\_\_-M8C



All dimensions are in mm

Cat. No. PR8-912

Exclusively Represented by:

Intech Systems Chennai Pvt Ltd  
 S-2, Guindy Industrial Estate  
 Chennai - 600 032. Ph: 4353 8888  
 Email: info@intechchennai.com

**INNO**<sup>TM</sup>  
 www.inno.sg

© INNO, Rights Reserved  
 In the interest of continuous product improvement  
 specifications are subject to change without notice

- Proximity Sensors
- Photoelectric Sensors
- Measurement Sensors
- Vision & Safety Sensors
- Control
- Weighing
- Automation
- Components